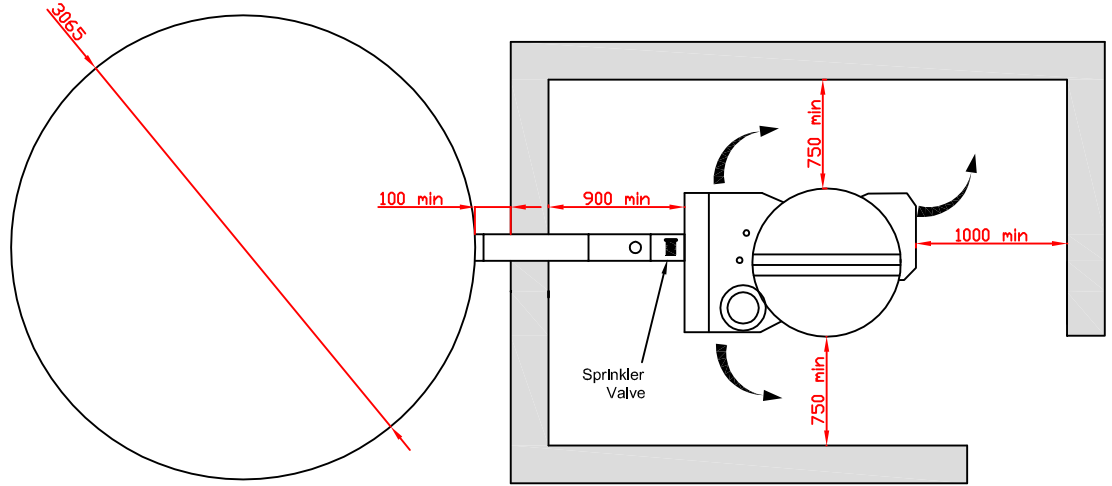
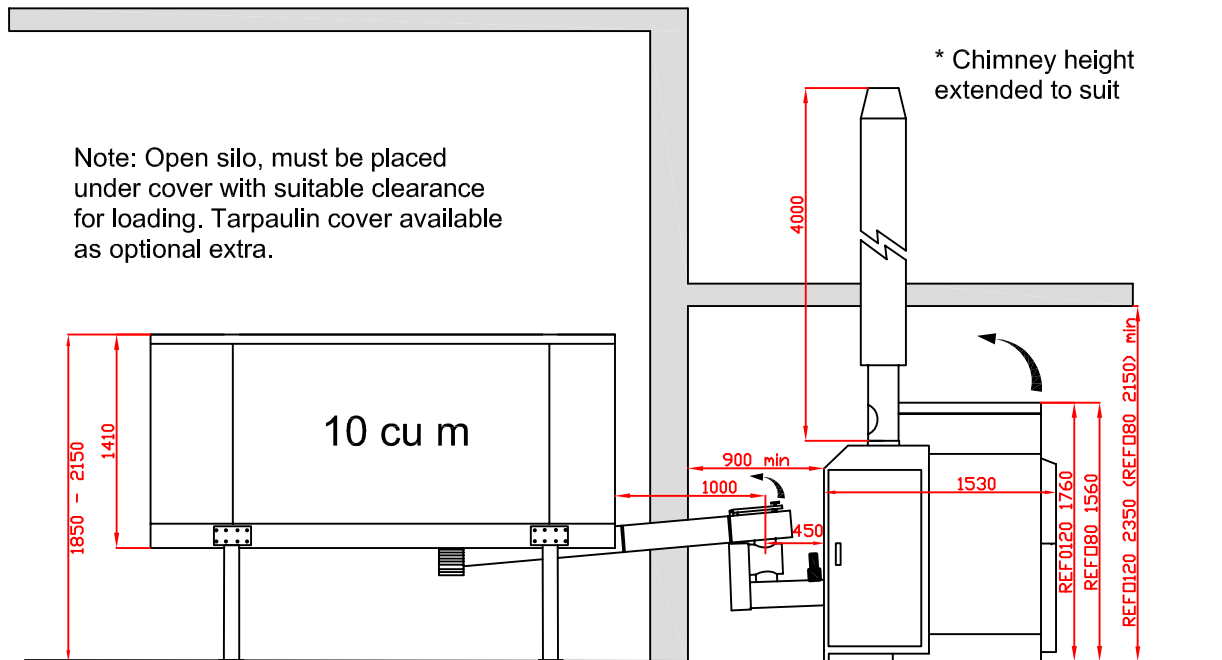


Boiler House to be constructed from masonry or concrete etc, i.e. non-combustable material

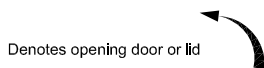
With sluice valve fitted silo may be rotated  $\pm 90^\circ$  about the boiler.



Note: All indicated minimum clearances are from walls and/or any adjacent object, i.e. pipe work etc



Note: Extended feed augers can be supplied to meet specific site requirements, please contact FARM2000 for details.



# FARM2000

TEISEN PRODUCTS LTD

BRADLEY GREEN  
REDDITCH  
WORCS, B96 6RP  
TEL: 01527 821621  
FAX: 01527 821665

## STANDARD LAYOUT FOR :-

REFO 80 & 120 with 10 cu m SILO

SCALE: 1:50  
DATE: MAY 07