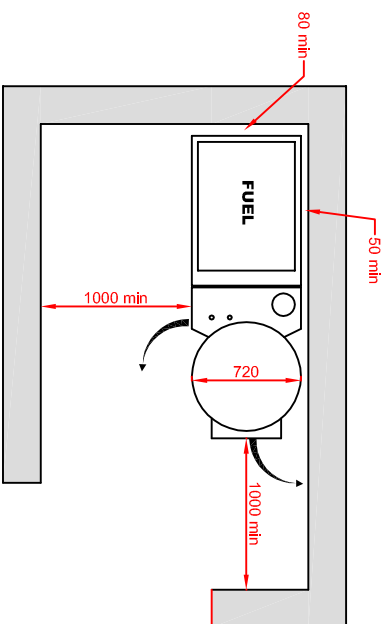
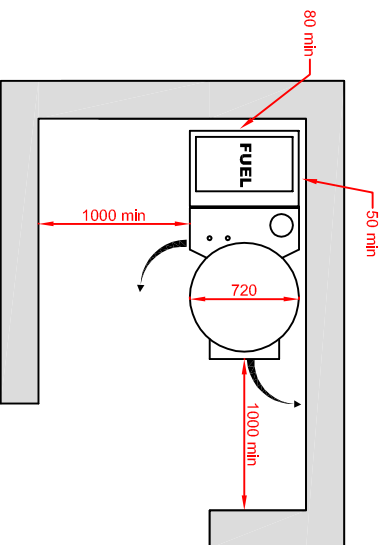


Boiler House to be constructed from masonry or concrete etc. i.e. non-combustible material

REFO Boiler

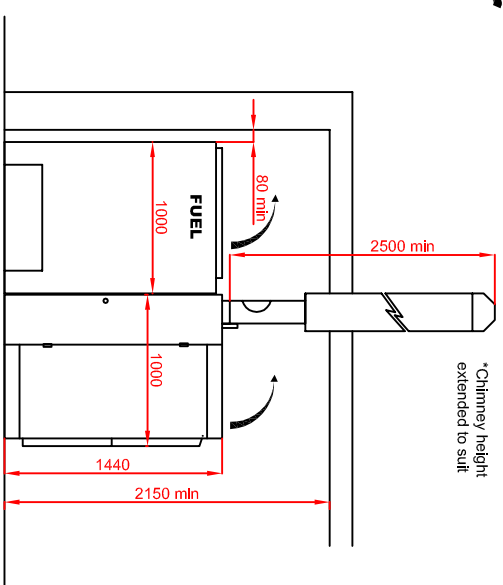


700 Litre Silo

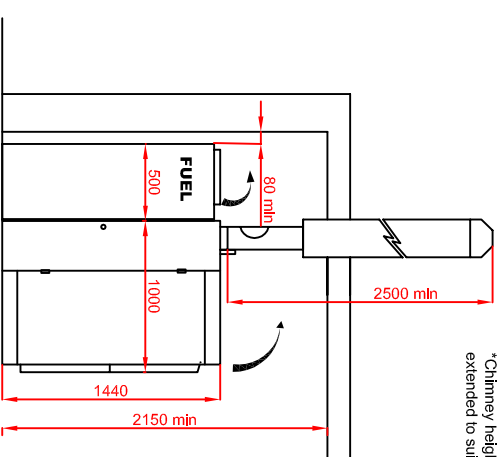


330 Litre Silo

Note: All indicated minimum clearances are from wall and/or any adjacent object. i.e. pipe work etc.



*Chimney height extended to suit



*Chimney height extended to suit

The above drawings are for reference only to show minimum clearances etc. The fuel silo should obviously be as accessible as possible.

FARM2000

TEISEN PRODUCTS LTD

BRADLEY GREEN
REDDITCH
WORCS, B96 6RP
TEL: 01527 821621
FAX: 01527 821665

STANDARD LAYOUT FOR :-

REFO 30,40 & 50 with 330 & 700 Litre Silo

SCALE 1:50
DATE: MARCH 07