

FARM 2000

FROM

M&K Products

ECONOMY BOILERS

burn wood, straw and other biomass fuels.

The FARM 2000 ECONOMY Boilers are designed to operate heating, hot water and hot air systems by the controlled combustion of straw, wood and other forms of biomass.

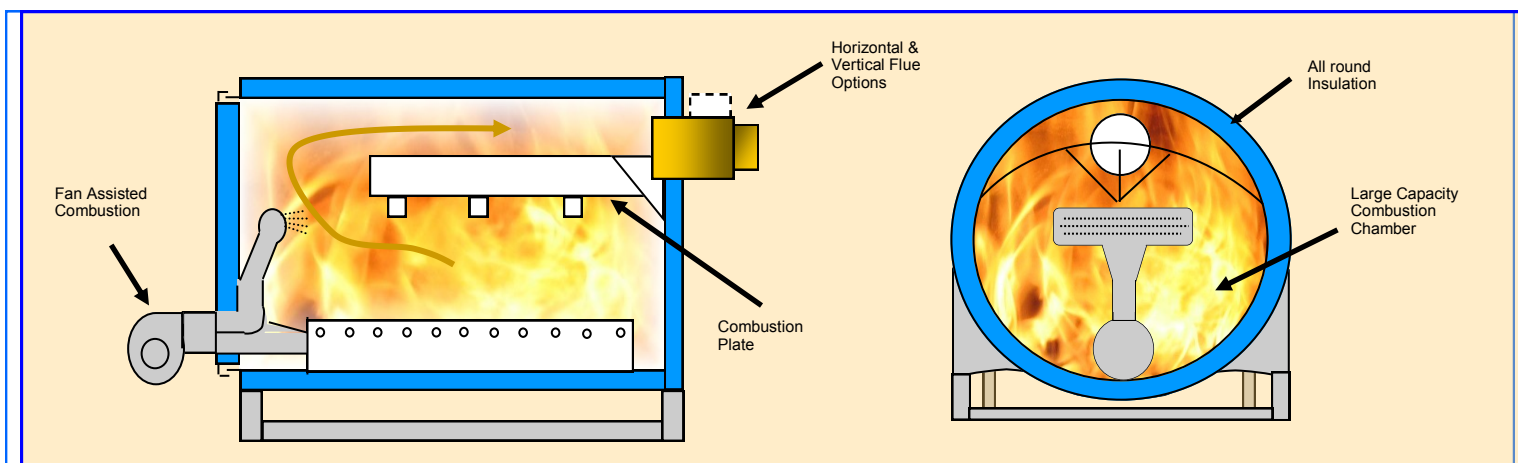
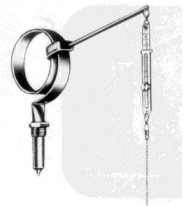
ECONOMY Boilers are ideally suited to smaller domestic heating systems where straw is the main fuel, and fuel consumption is not so critical.

ECONOMY Boilers are based on the traditional single-pass boiler but are fitted with a fan and combustion plate for improved efficiency and control.

If greater levels of efficiency are required we recommend the FARM 2000 HT boilers, which on average use approximately 25% - 30% less fuel than the ECONOMY boilers.

ECONOMY Boilers are not suitable for burning coal or other fossil fuels.

- **Large Combustion Chamber**
Low stoking frequency
- **Refractory lined door, Pre-heated secondary air providing 2-stage combustion.**
Clean and complete combustion.
Minimal smoke
- **Fan Operation (Optional)**
Rapid heat output from cold start, accurate control. (No requirement for heat leak when using straw).
Safety and economy
- **Large Stoking Door**
Easy loading, smaller secondary door on large boilers for convenient "topping up"
- **Vertical or Horizontal Flue Outlet**
Lower chimney costs, easy cleaning access
- **Patented Water Circulation & Accumulation system**
Prolonged output, providing heat between stoking
- **50mm Insulation**
Minimal heat loss
- **Designed & Manufactured in UK**
Prompt service and individual attention



DIMENSIONS AND TECHNICAL DATA

SIZING AND INSTALLATION

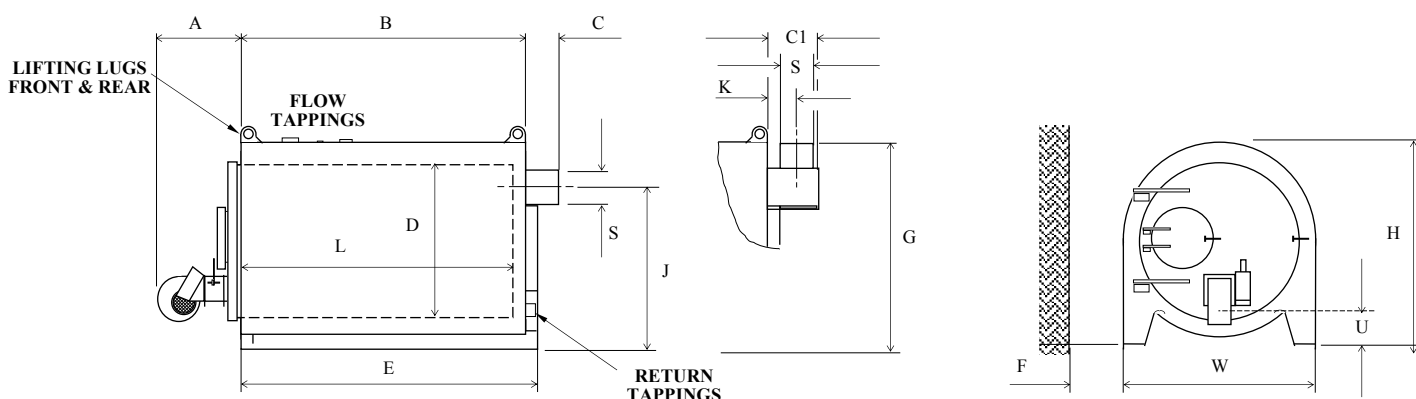
The ECONOMY Boilers are designed for use in open vented indirect hot water heating systems and must be installed according to the current FARM 2000 Installation and Operating Instruction Booklet. Installation into a sealed heating system can however be achieved by using a simple heat exchanger unit.

If you have any special requirements, you are welcome to contact us.

The Economy Boilers must be fitted with a chimney capable of withstanding flame impingement, e.g. refractory or heavy duty stainless steel

All boilers are supplied ready for installation and specification includes the following:

- Boiler with all round insulation and cladding.
- Pre-wired fan, thermostat and electronic control unit. (Alternatives can be supplied without fan, using thermostat to operate air vents).
- Temperature gauge.
- Integral support frame with skids for easy siting.
- Cleaning tools and instructions.
- Over-ride safety thermostat.
- Horizontal or vertical flue outlet (Please specify)
- Adjustable flue damper.
- Additional stoker doors for easy inspection and "topping up".
- Unique patented internal guided water circulation.



BOILER MODEL		A3.5F	A5F	A6F	A6 Plus
Max. Output with Wood 000 BTU (kW)		120(35)	175(51)	250(73)	300(88)
Max. Output with Straw 000 BTU (kW)		55(16)	80(23)	120(35)	175 (56)
Standard Bale Capacity (See below)		1	2	2- 3	3 -4
Combustion Chamber Length	L	1450	1450	1450	1980
Diameter Combustion Chamber	D	700	925	1125	1125
Boiler Height	H	962	1189	1460	1460
Boiler Width	W	894	1118	1385	1385
Flue Spigot Inside Diameter	S	203	203	203	255
Fan Clearance	A	341	357	357	357
Length	B	1510	1510	1512	2012
Flue Spigot Length	C	200	200	220	220
Total Length	A+B+C	2051	2067	2089	2589
Frame Length	E	1571	1571	1571	2085
Clearance from wall	F	252	250	304	304
Height to Centreline Flue Spigot	J	740	945	1155	1130
Height to Lower Rim of Chamber	U	160	162	171	171
Vertical Spigot Flue Box Detail	Flue Spigot Inside Diameter	S	203	203	256
	Flue Box Length	C1	300	300	300
	Total Boiler Length	A+B+C	2151	2167	2169
	Vertical Spigot Dimension	K	160	160	160
	Height to top of Vertical spigot	G	1052	1257	1362
Flow Tapping (Female Thread) (BSP)	-	1¼, 1¼	2, 1¼	2, 1¼	2, 1¼
Return Tapping (Female Thread) (BSP)	-	1¼, 1¼	2, 1¼	2, 1¼	2, 1¼
Boiler Weight (Dry) (kg)	-	550	660	870	915
Water Volume (Litres)	-	160	220	290	330

Outputs are based on seasoned wood and straw with maximum moisture content 16%. Excess moisture reduces efficiency. Check your bale sizes against our combustion chamber dimensions before specifying. USE MEDIUM/LOW DENSITY BALES

All FARM 2000 Boilers are manufactured in the U.K. Each boiler undergoes strict quality control and a pressure test before despatch.



Max. Operating Pressure: 1.5 bar
Test Pressure: 3.0 bar
Special boilers made to order.
All dimensions in mm

The right to make amendments without notice is reserved. 12/17

M&K PRODUCTS (BROMSGROVE) LTD.
 Dodford, Bromsgrove.
 Worcs. B61 9BT. UK
 Tel: +44 (0)1527.836444